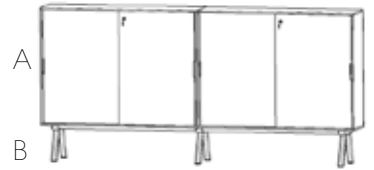
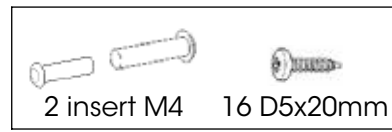


# MULTIPLE CABINET 2027

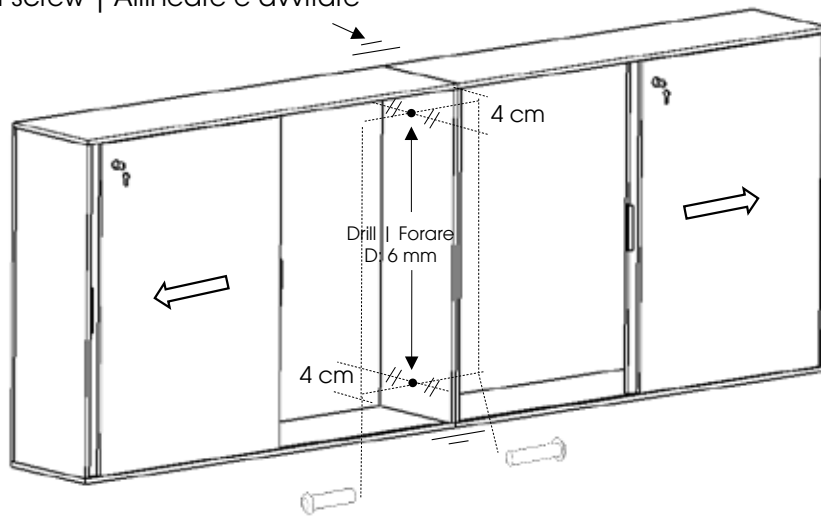
Assembly Directions

Watch:

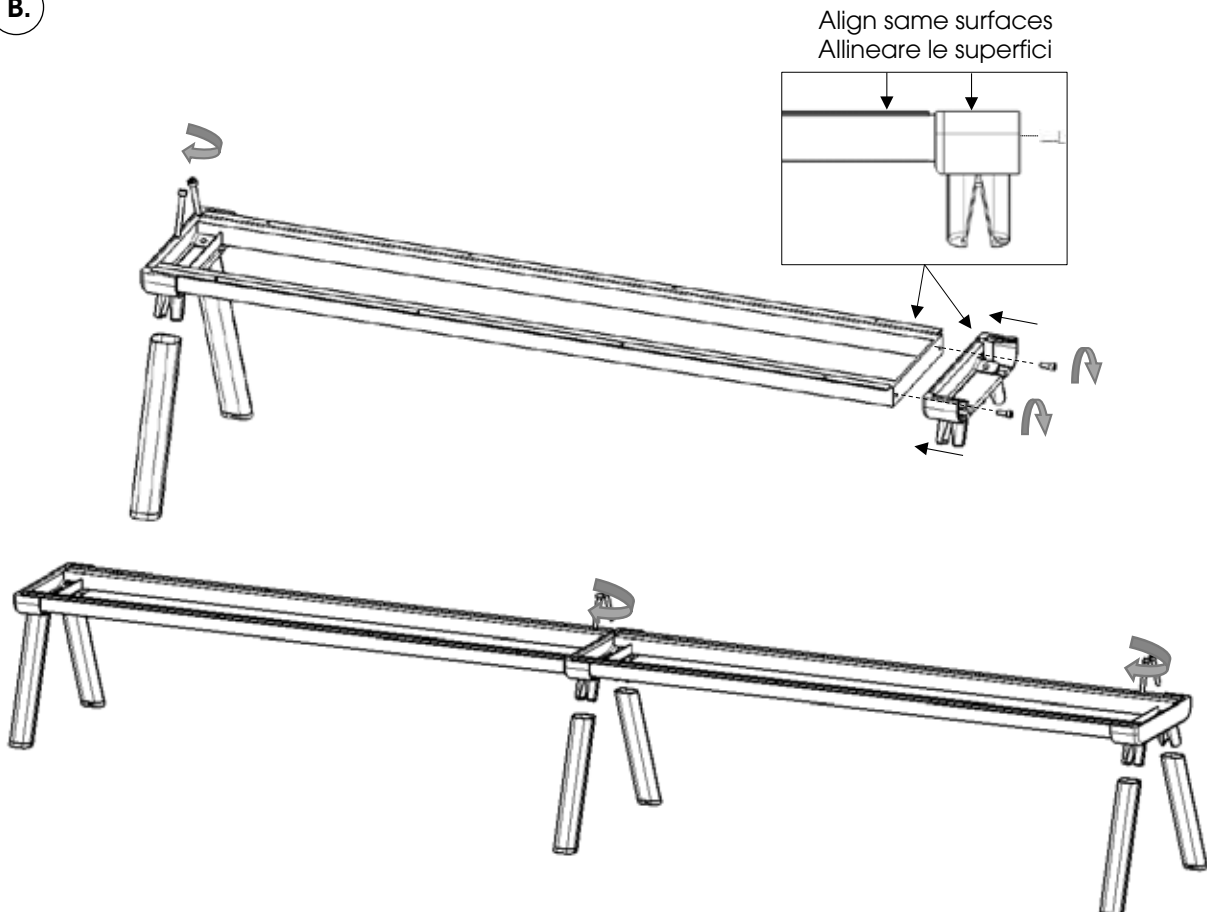
<https://youtu.be/7csOMqvgv10>



**A.** Align and screw | Allineare e avvitare



**B.**



# MULTIPLE CABINET 2027

Assembly Directions

1. Center the frame | Centrare la struttura

